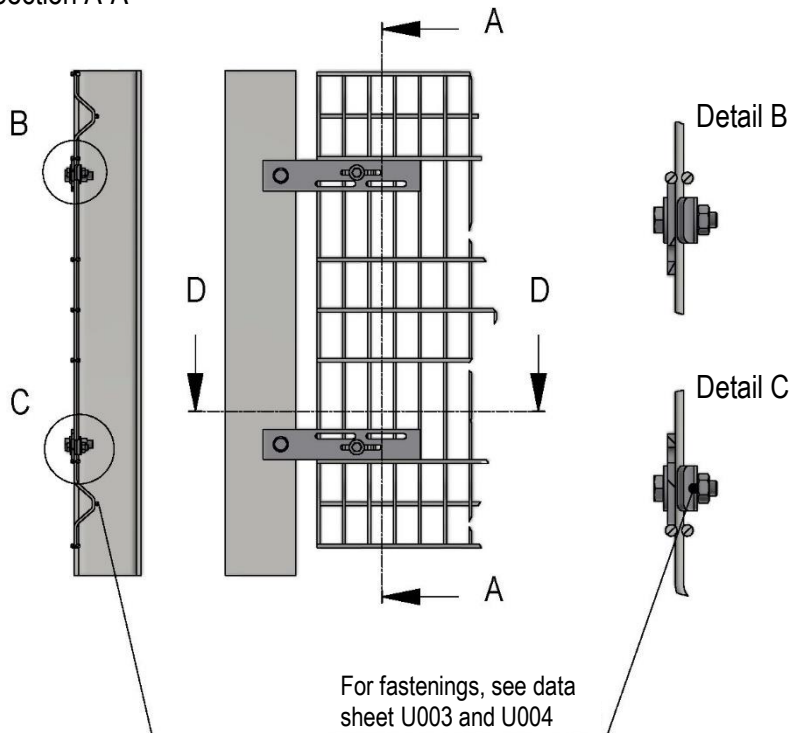
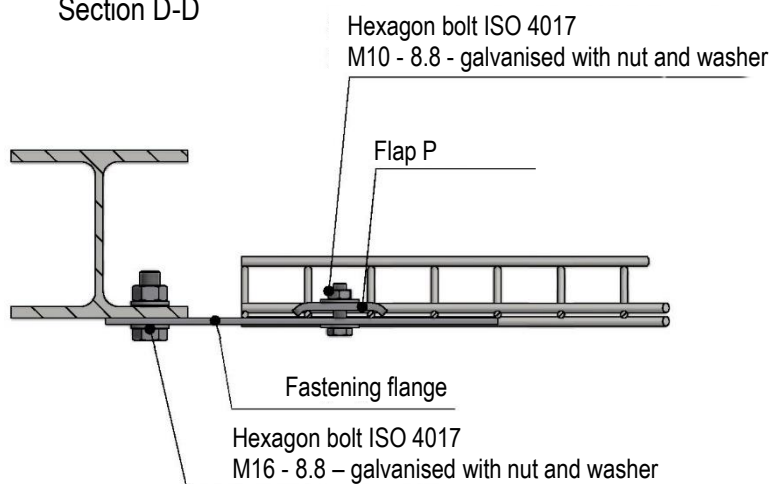


Section A-A



The bulges can point either towards or away from the parking deck.

Section D-D



Note:

For connections on a ramp incline an extended ramp flange is used.