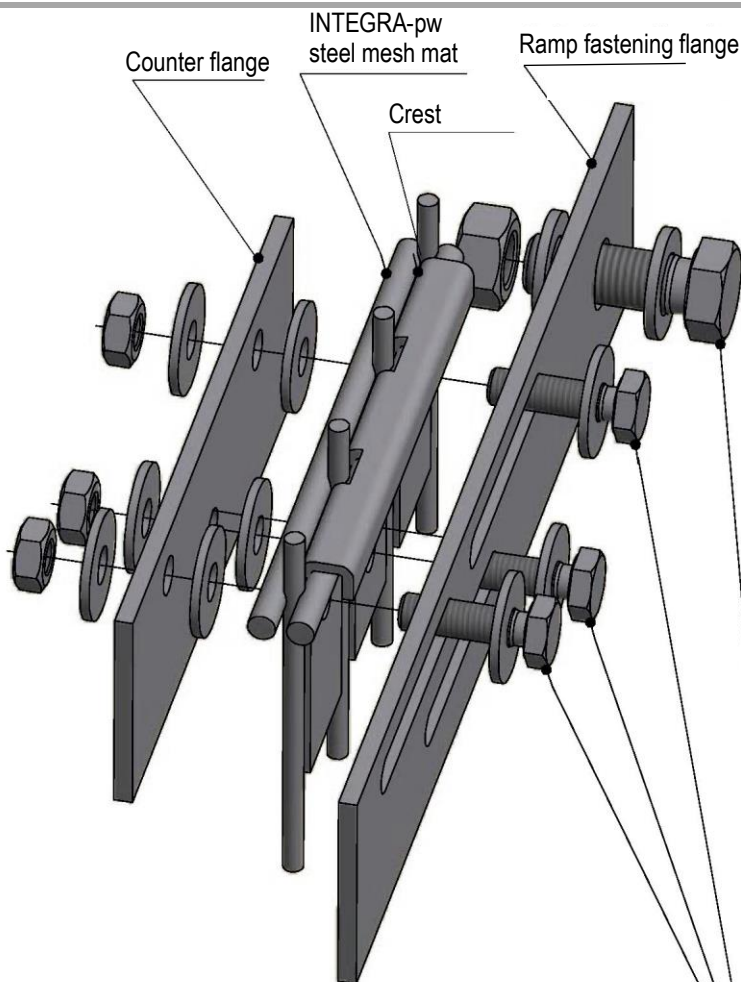


Data sheet EN U006 INTEGRA-pw ramp fastening set

INTEGRA-pw safety barrier



1x hexagon bolt ISO 4017 - M10 - 8.8 - galvanised
 3x washer ISO 7093 - \varnothing 10.5 - galvanised
 1x hexagon nut ISO 4032 - M10 - galvanised

1x hexagon bolt ISO 4017 - M16 - 8.8 - galvanised
 2x washer ISO 7089 - \varnothing 17 - galvanised
 1x hexagon nut ISO 4032 - M16 - galvanised

Note:

Ramp fastening flange length: 360 mm

Tightening torques for bolts:
 M10 = 30 Nm
 M16 = 100 Nm

During assembly, ensure that the tightening torques are applied using a calibrated torque wrench. Make sure that the numbers embossed on the nuts are still visible after they have been fastened.

