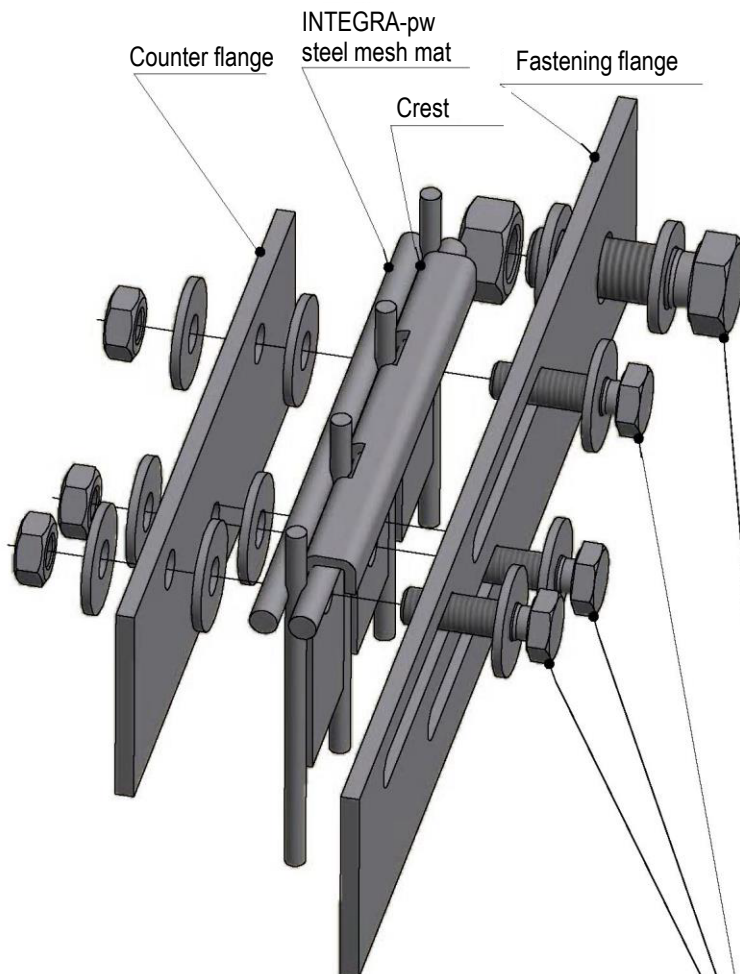


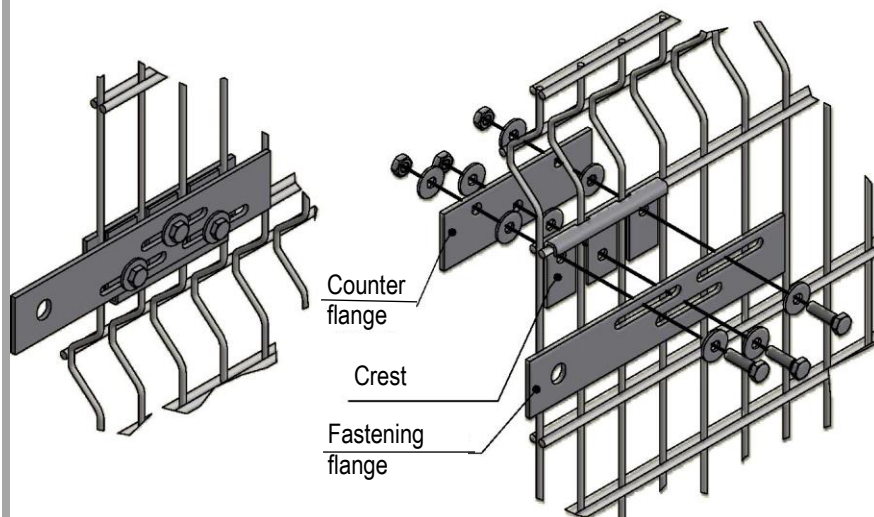
Data sheet EN U005 INTEGRA-pw fastening set

INTEGRA-pw LOCK



1x hexagon bolt ISO 4017 - M10 - 8.8 - galvanised
3x washer ISO 7093 - $\varnothing 10.5$ - galvanised
1x hexagon nut ISO 4032 - M10 - galvanised

1x hexagon bolt ISO 4017 - M16 - 8.8 - galvanised
2x washer ISO 7093 - $\varnothing 17$ - galvanised
1x hexagon nut ISO 4032 - M16 - galvanised



Note:

Fastening flange length: 310 mm

Tightening torques for bolts:
M10 = 30 Nm
M16 = 100 Nm

During assembly, ensure that the tightening torques are applied using a calibrated torque wrench. Make sure that the numbers embossed on the nuts are still visible after they have been fastened.

DIBt AbZ
INTEGRA-pw
Z-14.7-882