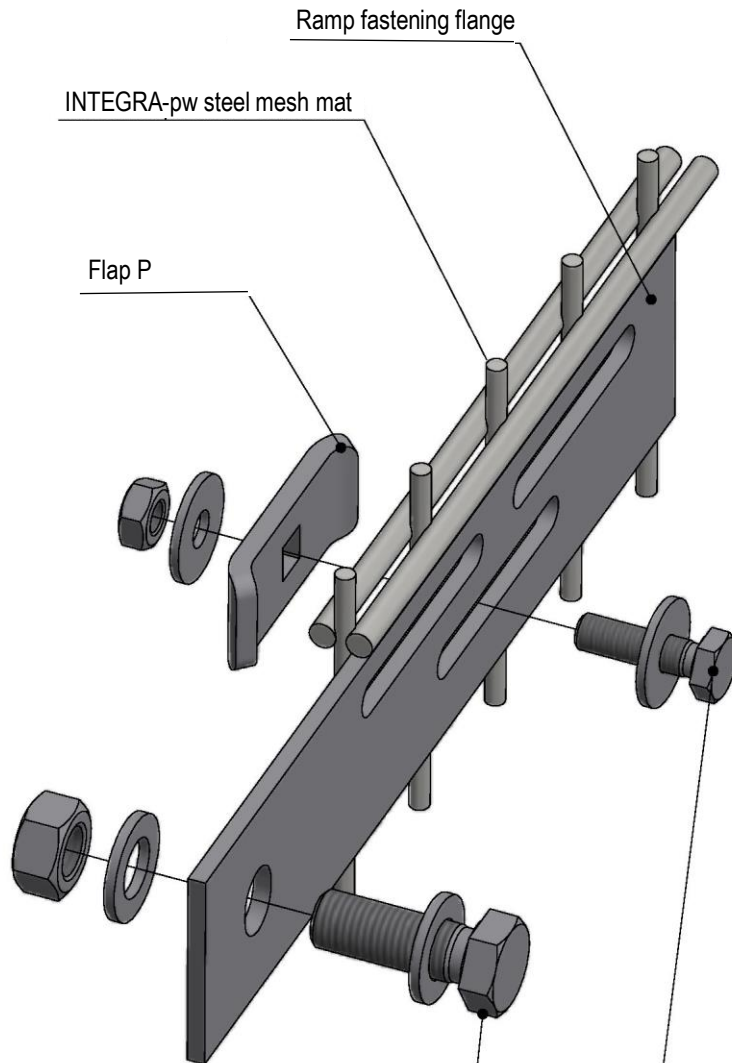


Data sheet EN U004 INTEGRA-pw LOCK ramp fastening set

INTEGRA-pw LOCK



1 x hexagon bolt ISO 4017 - M16 - 8.8 - galvanised
 2 x washer ISO 7093 - \varnothing 17 - galvanised
 1 x hexagon nut ISO 4032 - M10 - galvanised

1 x hexagon bolt ISO 4017 - M10 - 8.8 - galvanised
 2 x washer ISO 7093 - \varnothing 10.5 - galvanised
 1 x hexagon nut ISO 4032 - M10 - galvanised

Note:

Ramp fastening flange length: 360 mm

During installation, make sure that the numbers embossed on the nuts are still visible after they have been fastened.