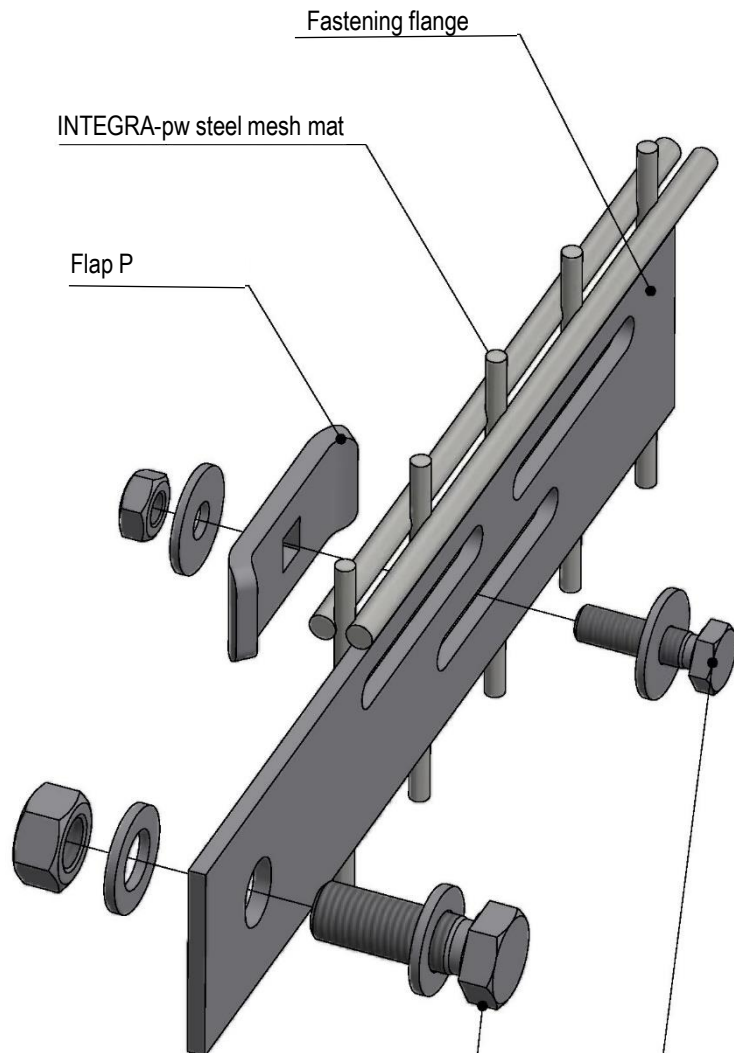


Data sheet EN U003 INTEGRA-pw LOCK fastening set

INTEGRA-pw LOCK



1 x hexagonal bolt ISO 4017 - M16 - 8.8 - galvanised
 2 x washer ISO 7093 - 17 - galvanised
 1 x hexagon nut ISO 4032 - M16 - galvanised

1 x hexagon bolt ISO 4017 - M10 - 8.8 - galvanised
 2 x washer ISO 7093 - $\varnothing 10.5$ - galvanised
 1 x hexagon nut ISO 4032 - M10 - galvanised

Note:

Fastening flange length: 310 mm

During installation, make sure that the numbers embossed on the nuts are still visible after they have been fastened.