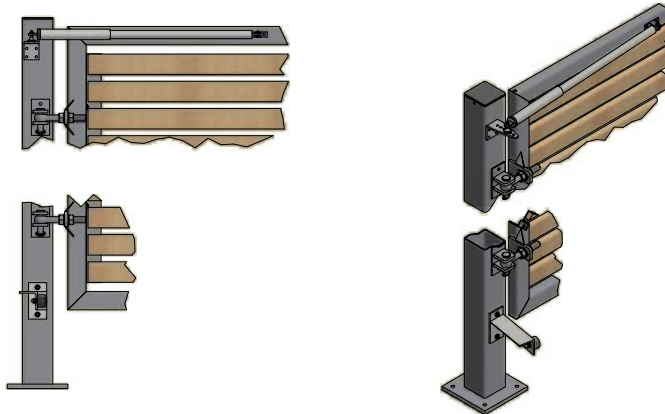
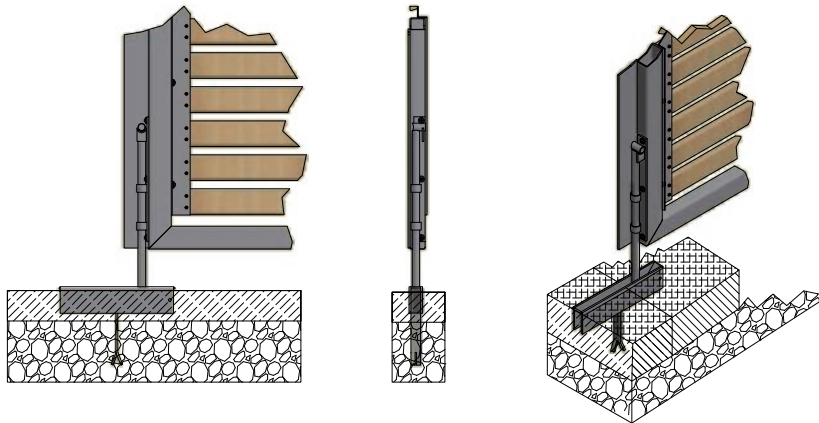


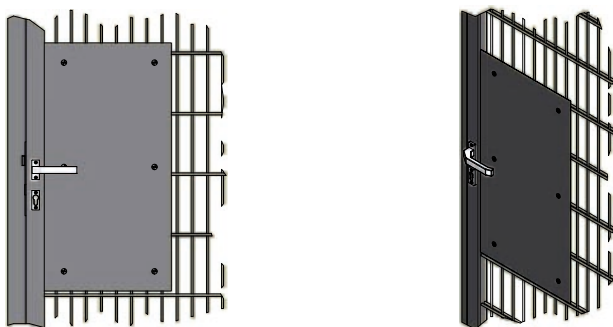
## Top door closer and opening limiter for leaf gates



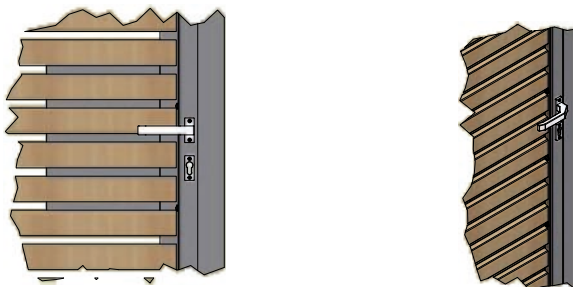
## Screw-on drop bolt and base pan for leaf gates and suspended sliding gates



## Reach-through protection on GM/5 for leaf gates and suspended sliding gates



## Reach-through protection on Woodline for leaf gates and suspended sliding gates



## Product description:

### Hydraulic door closer

Surface: V2A  
 Closing force infinitely variable up to 60 Nm  
 Gate leaf weight: up to 100 kg  
 Opening angle: up to 110°

### Opening limiter:

Galvanised welded construction to prevent the door closer from being overstretched

### Optional:

powder-coated surface

### Screw-on drop bolt with base pan:

Galvanised construction for retrofitting on type N1 leaf gates and suspended sliding gates

Optional drop bolt: powder-coated surface

### Reach-through protection:

Galvanised plate bolted to the door panels with V2A screws (fastened to mesh mats by clamps)

### Size:

Width: 300 mm x height: 500 mm

