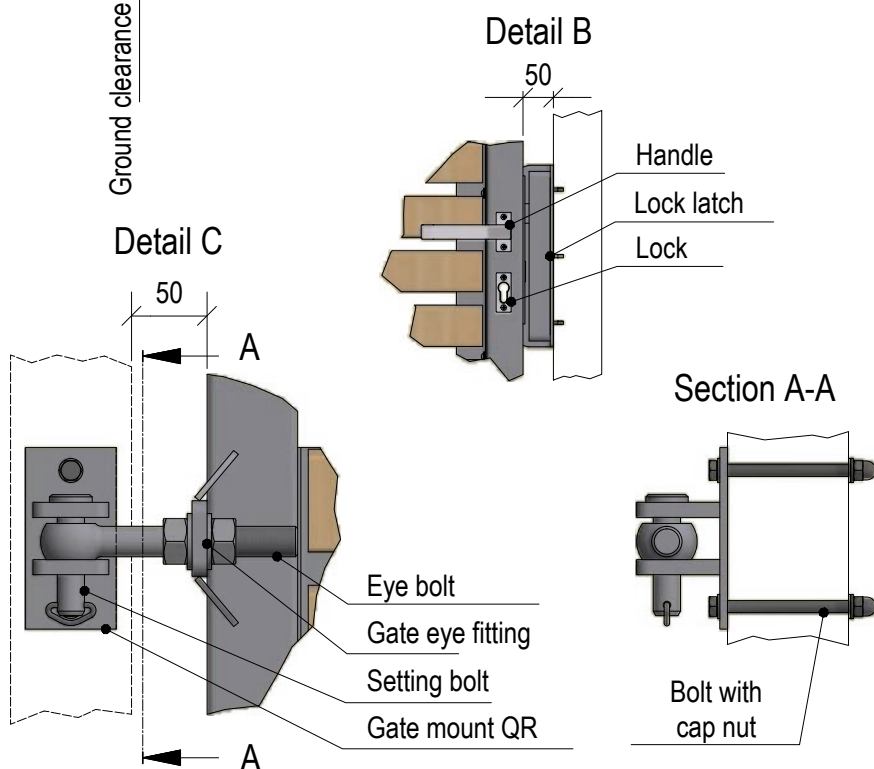
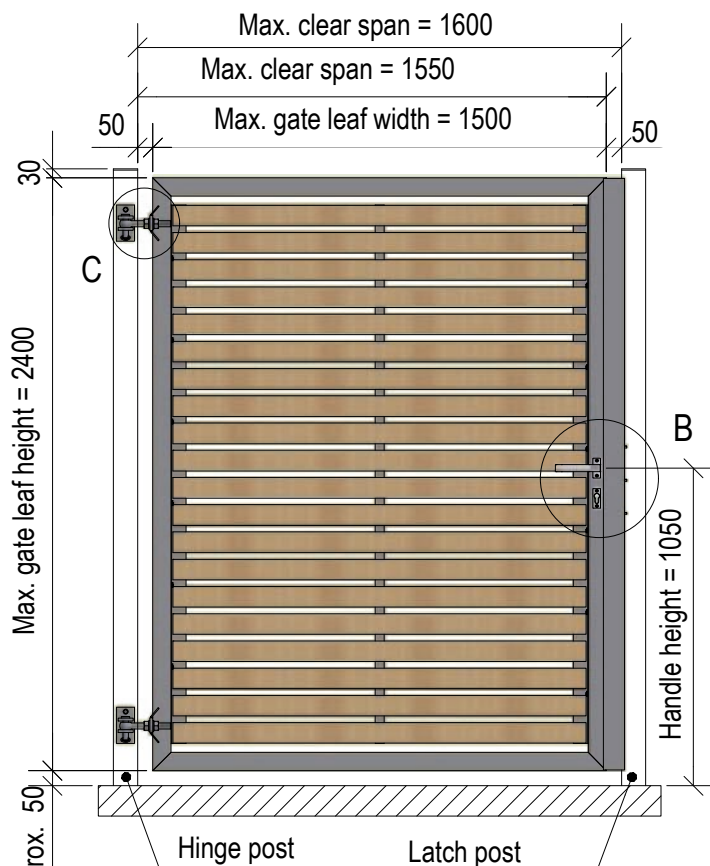


Data sheet EN 340 - Single-leaf gate N1

Urban Systems



Product description:

- Welded gate frame, 60x40 mm, without drop bolt
- Max. gate leaf height 2400 mm
Max. clear span: 1600 mm
- Lock latch bolted to latch post with V2A drilling screw
- Gate mount bolted to hinge post (pre-drilled) with V2A through-bolt joint
- Aluminium fittings
- Handle can be moved on both sides
- Mortice lock prepared for profile cylinder provided by client (30/30)
- Optional gate panels:
see **DS EN 342**
- Optional lock and handle variants:
see **DS EN 343**
- Optional gate accessories:
see **DS EN 344**

