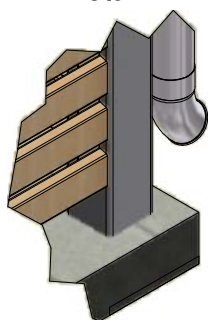
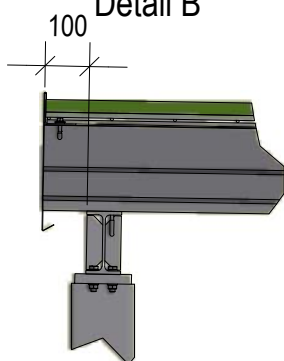


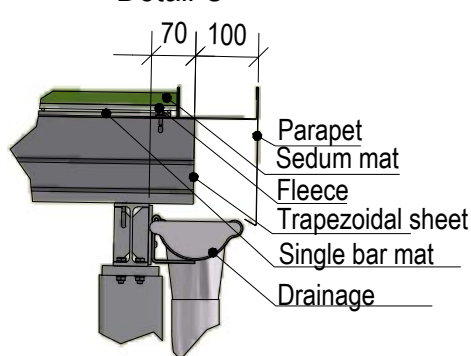
Detail A



Detail B



Detail C



Product description:

Flat roof with a roof pitch of 1° (approx. 2%)

Supporting structure from projekt w statically calculated for wind loads according to DIN EN 1991-1-1-4:2010-12 and snow loads according to DIN EN 1991-1-1-4:2010-12

Roof structure made from strip-galvanised trapezoidal sheet steel in negative position, underside rear protective lacquer similar to RAL 9002, top side RAL 9002

Water drainage through the gutter cannot be guaranteed for roof pitches <math>< 5^\circ</math> (=9%)

Moss/sedum combination mat including protective water retention fleece

External ALU-zinc 100-mm gutter with 75-mm diameter downpipe and pipe spout including leaf guard

Roof parapet made from folded sheet steel, galvanised and powder-coated on visible side, height: 220 mm

Supports made from square tube for setting in concrete sleeve foundations, max. 2800 mm from top edge of foundations

Optional: base plate for anchoring to the foundations

Roof beams made from IPE sectional steel

Optional: trapezoidal sheet $t > 1$ mm with anti-condensation coating, trapezoidal sheet up to $t = 1$ mm with anti-condensation fleece

Optional: Detail B roof overhang at ridge 150 mm when using a sliding door system HST 2 DS EN 361

Optional side panelling; see

data sheets DS EN 320 to EN 335

