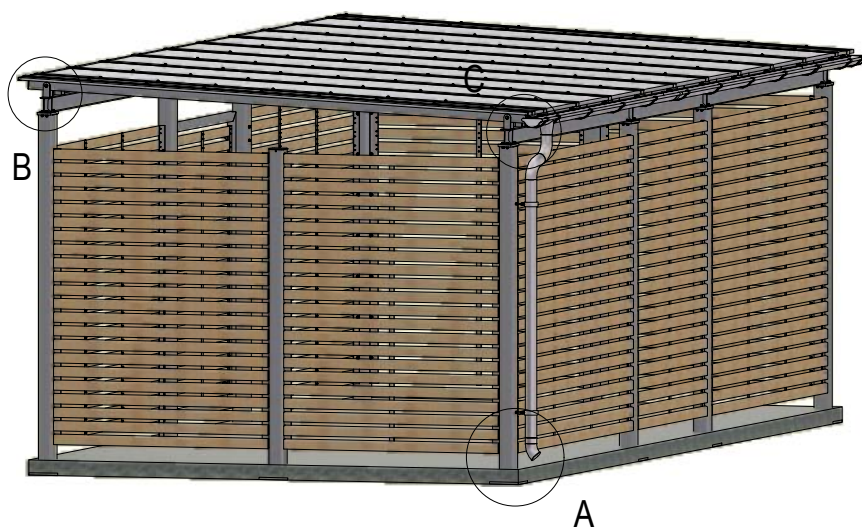
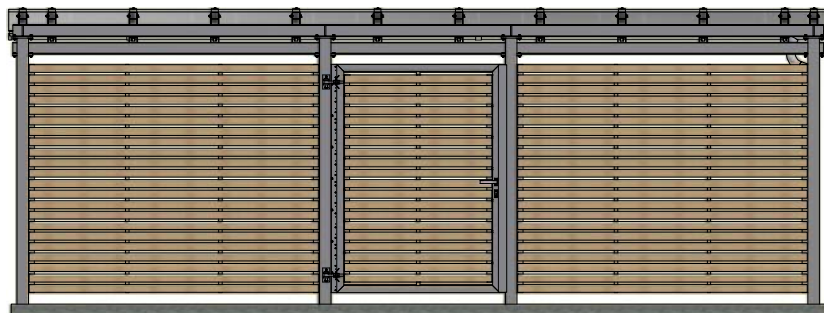
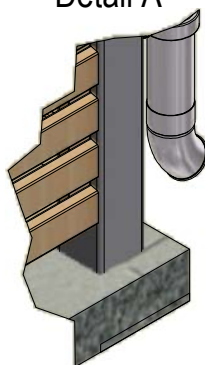


Data sheet EN 300 - roof type: double-skin sheet

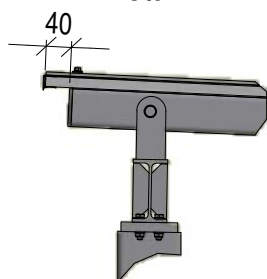
Urban Systems



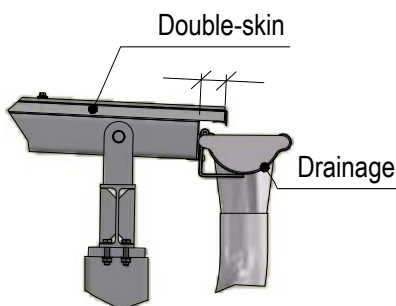
Detail A



Detail B



Detail C



Product description:

Pent roof with a roof pitch of at least 5° (approx. 9%)

Supporting structure from projekt w statically calculated for wind loads according to DIN EN 1991-1-1-4:2010-12 and snow loads according to DIN EN 1991-1-1-4:2010-12

Roof covering made from polycarbonate Double-skin sheets 16 mm (clear)

Supports made from square tube for setting in concrete sleeve foundations, max. 2800 mm from top edge of foundations

Optional: base plate for anchoring to the foundations

Roof beams made from IPE sectional steel, rafters made from square tube

Optional: external ALU-zinc 100-mm gutter with 75-mm diameter downpipe and pipe spout

Optional side panelling; see data sheets EN 320 to EN 335

